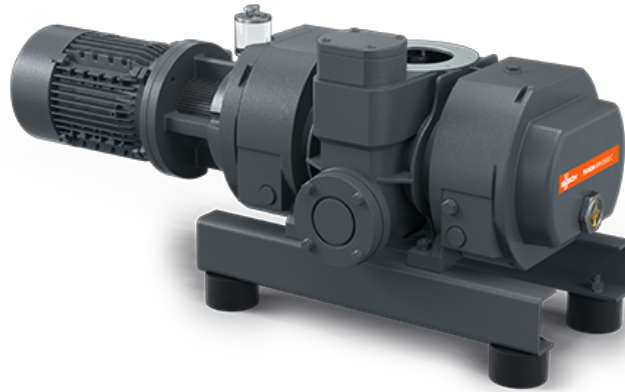


# PANDA WV 0250/0500 C

Booster



Discover all advantages of the product series PANDA WV

## Reliable

Solid lobe design, robust construction, reliable under varying operating conditions, barrier gas connection

## High performance

Excellent volumetric efficiency, high ultimate pressure, increases the performance of a vacuum system by up to a factor of ten, integrated bypass valve, specially designed for rough and medium vacuum applications

## Flexible

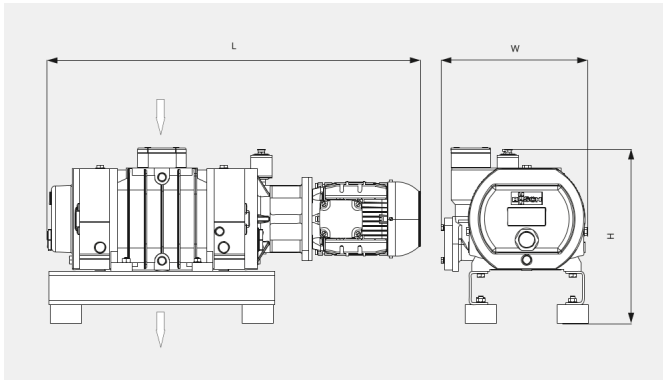
Can be flanged directly on the system at any position, boosts the performance of all types of backing pumps, with vertical or lateral discharge, perfectly suited for chemical processes

# PANDA WV 0250/0500 C

Booster

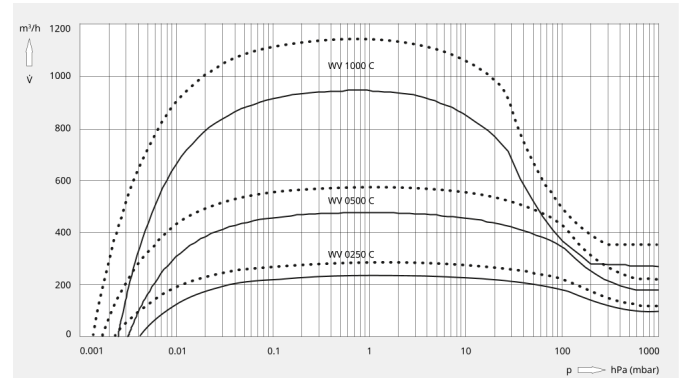


## Dimensional drawing



## Pumping speed

Air at 20 °C. Tolerance: ± 10%



The following technical values refer to ISO 60 Hz

	PANDA WV 0250 C	PANDA WV 0500 C
Nominal pumping speed	300 m³/h	600 m³/h
Pumping speed	285 m³/h	575 m³/h
Max. differential pressure	100 hPa (mbar)	100 hPa (mbar)
Nominal motor rating	1.5 kW	3.0 kW
Nominal motor speed	1800 min <sup>-1</sup>	3600 min <sup>-1</sup>
Weight approx.	150 kg	150 kg
Dimensions (L x W x H)	904 x 352 x 422 mm	917 x 352 x 422 mm
Gas inlet (horizontal)	DN 100 ISO	DN 100 ISO
Gas inlet (vertical)	DN 100 ISO	DN 100 ISO
Gas outlet (horizontal)	DN 063 ISO	DN 063 ISO
Gas outlet (vertical)	DN 100 ISO	DN 100 ISO

The following technical values refer to ISO 50 Hz

	PANDA WV 0250 C	PANDA WV 0500 C
Nominal pumping speed	250 m³/h	500 m³/h
Pumping speed	235 m³/h	480 m³/h
Max. differential pressure	100 hPa (mbar)	100 hPa (mbar)

# PANDA WV 0250/0500 C

Booster



VACUUM SOLUTIONS

	PANDA WV 0250 C	PANDA WV 0500 C
Nominal motor rating	1.1 kW	2.2 kW
Nominal motor speed	1500 min <sup>-1</sup>	3000 min <sup>-1</sup>
Weight approx.	150 kg	150 kg
Dimensions (L x W x H)	904 x 352 x 422 mm	917 x 352 x 422 mm
Gas inlet (horizontal)	DN 100 ISO	DN 100 ISO
Gas inlet (vertical)	DN 100 ISO	DN 100 ISO
Gas outlet (horizontal)	DN 063 ISO	DN 063 ISO
Gas outlet (vertical)	DN 100 ISO	DN 100 ISO

DO YOU WANT TO KNOW MORE

Please contact us!  
sales@busch.co.uk or +44 1952 67 74 32



CONTACT FORM



CALL US NOW